

Requirements management through AIIG Contracts



Marin L. Priala

Software Engineering

REUSE

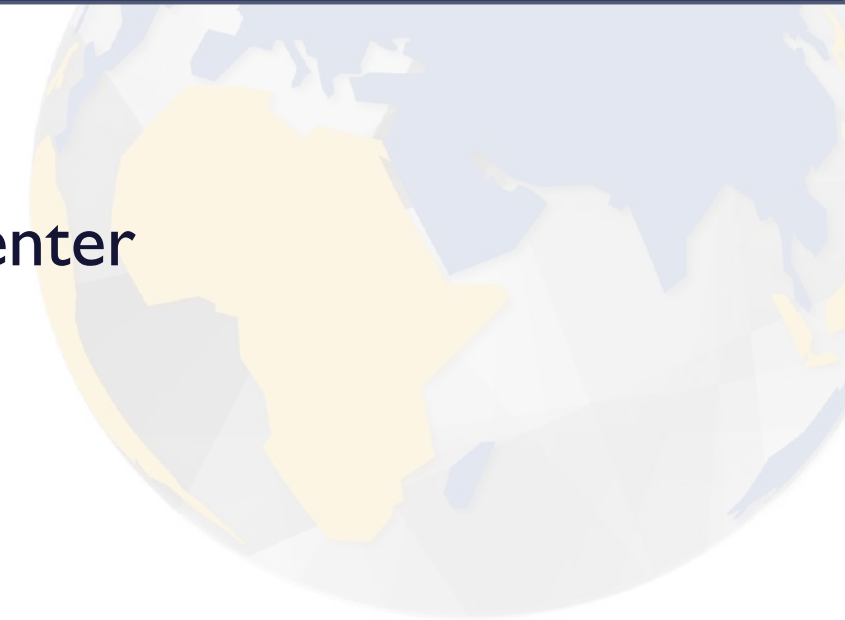
marin.priala@reusecompany.com



THE
REUSE
COMPANY

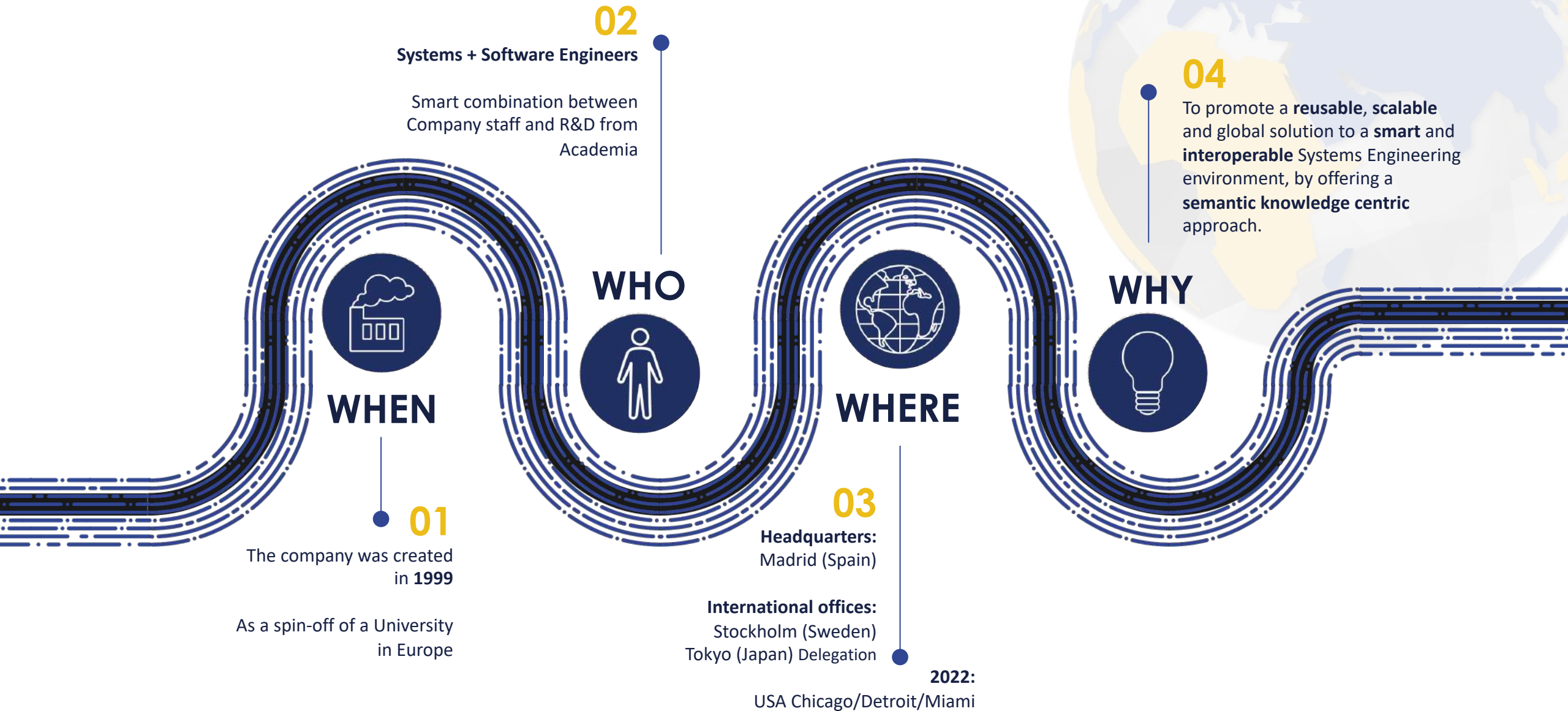


- Short intro to The Reuse Company and the Presenter
- Problem description
 - What is A||G Contracts?
 - What is the need for A||G Contract?
 - What is expected?
- Solution description
 - Metamodel
 - Short demo of Assumption – Guarantee contracts in IBM Rhapsody
- Q&A





Introduction to TRC and the Presenter





Marin L. Priala



marin.priala@reusecompany.com



+34 912 17 25 96



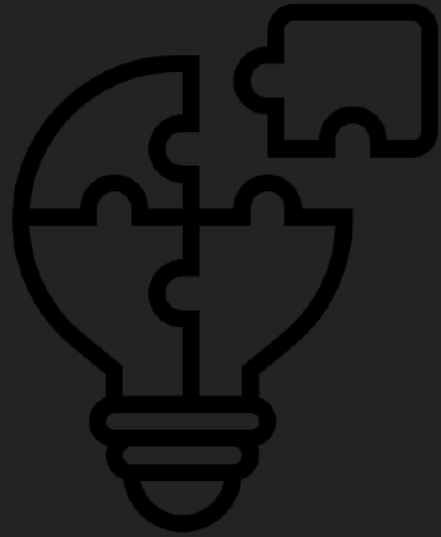
@ReuseCompany



<https://www.linkedin.com/in/marin-lucian-priala-b79b35107/>

Marin L. Priala is a Romanian citizen residing in Spain. He works as a software engineer and project developer within The Reuse company, with more than five years of experience.

He graduated in Computer Engineering at Carlos III de Leganes and with a natural ability to force and put all systems under stress, thus finding the limits of the systems.



Problem description

What is A||G Contracts?

- An approach from the communication paradigm perspective on the requirements paradigm perspective.

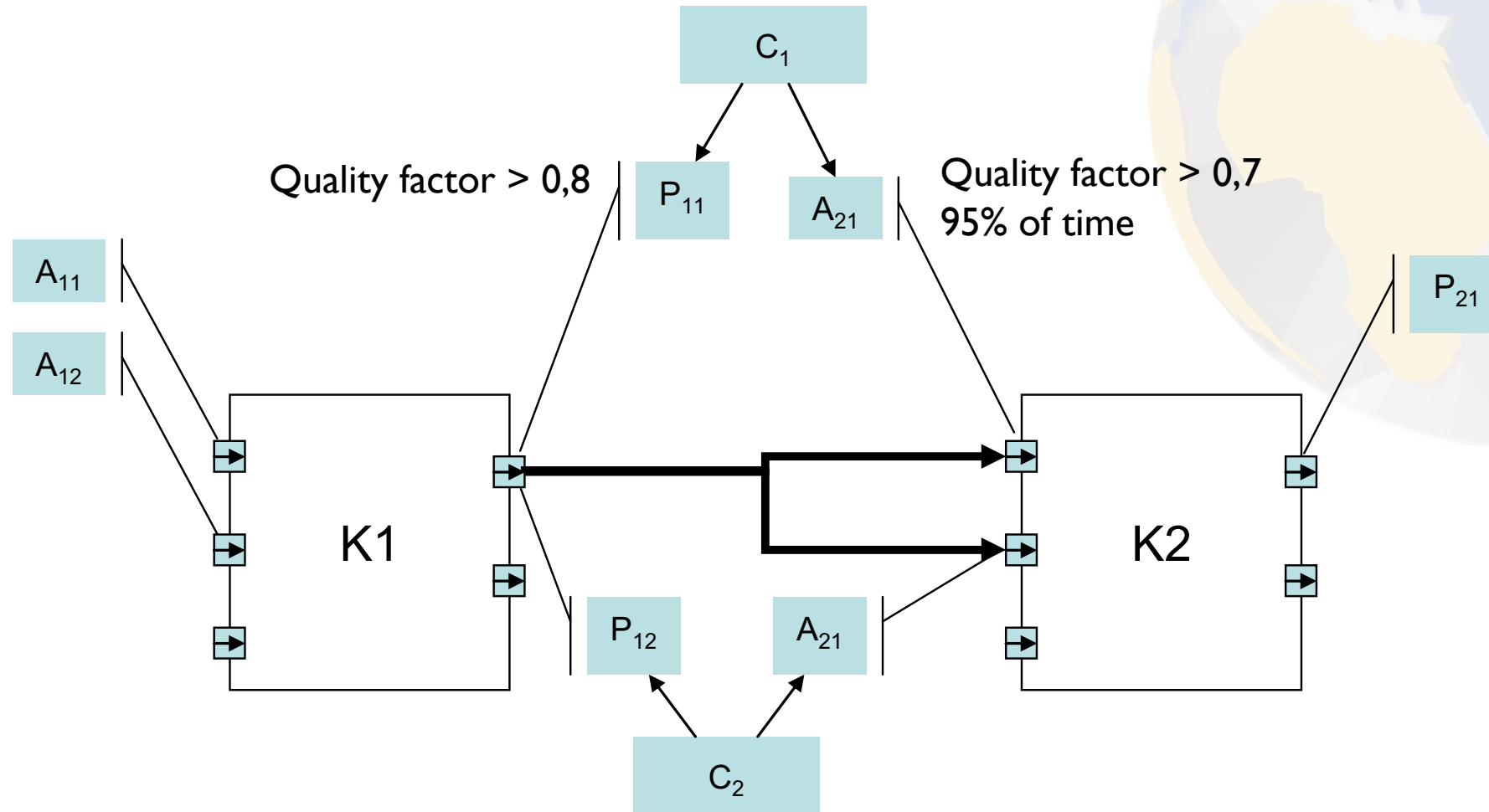
What is the need for A||G Contract?

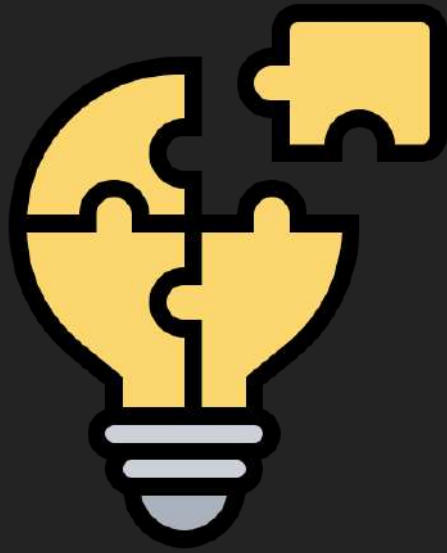
- In large organizations, efficient communication between teams is one of the great challenges.
- Both approaches need to be considered:
 - System requirements (what the delivering entity delivers).
 - Stakeholder needs and requirements (what the receiving unit needs).

What is expected?

- Have the possibility of specifying requirements based on the definition of contracts between the assumptions (A) made and which entities could guarantee (G) the fulfilment of the assumption.
- At the same time have the possibility to ensure the fulfilment of the contract and the underlying reasoning.

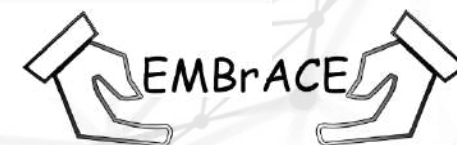
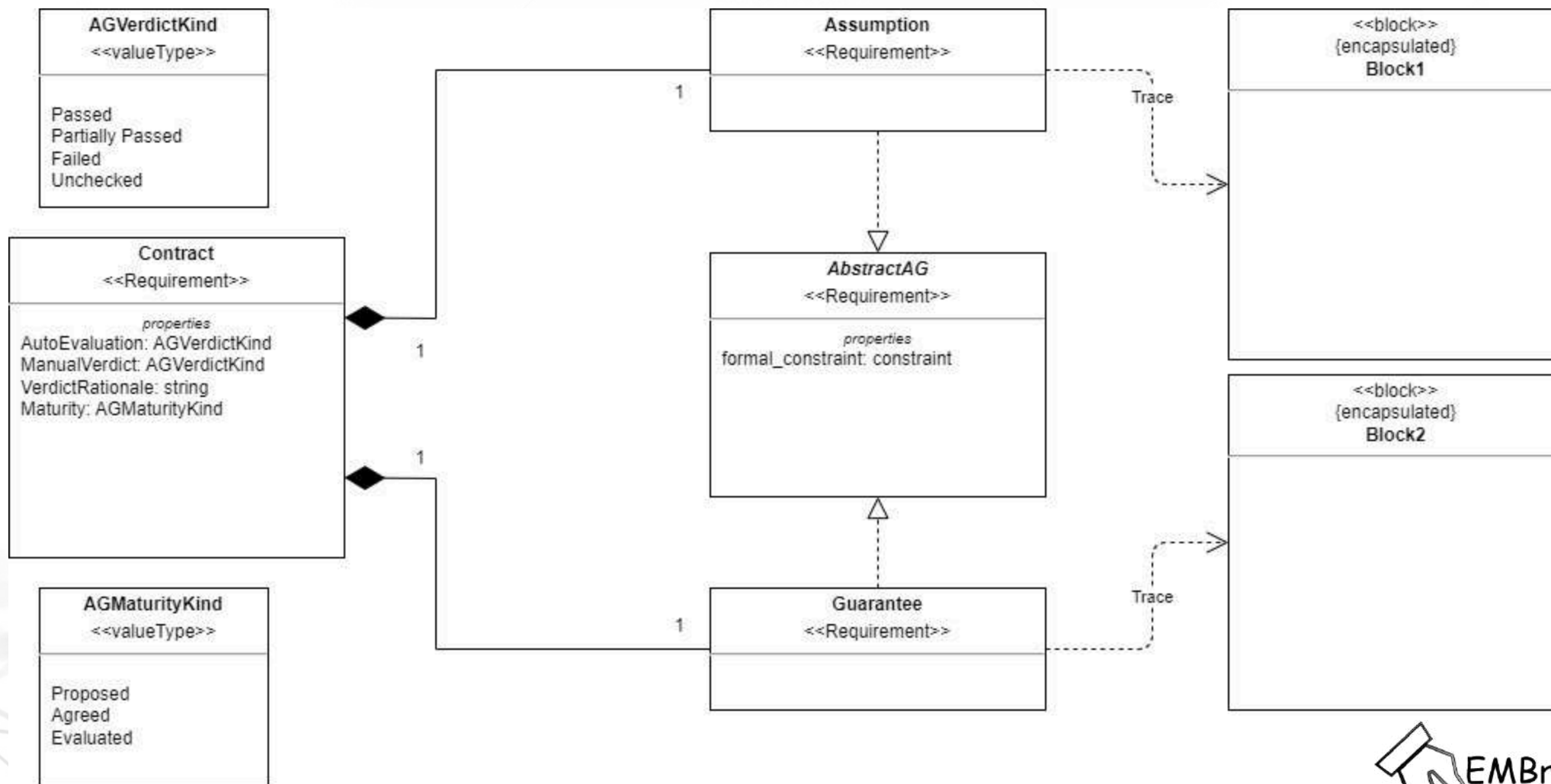


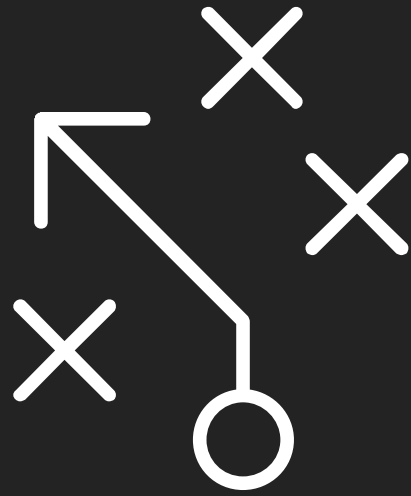




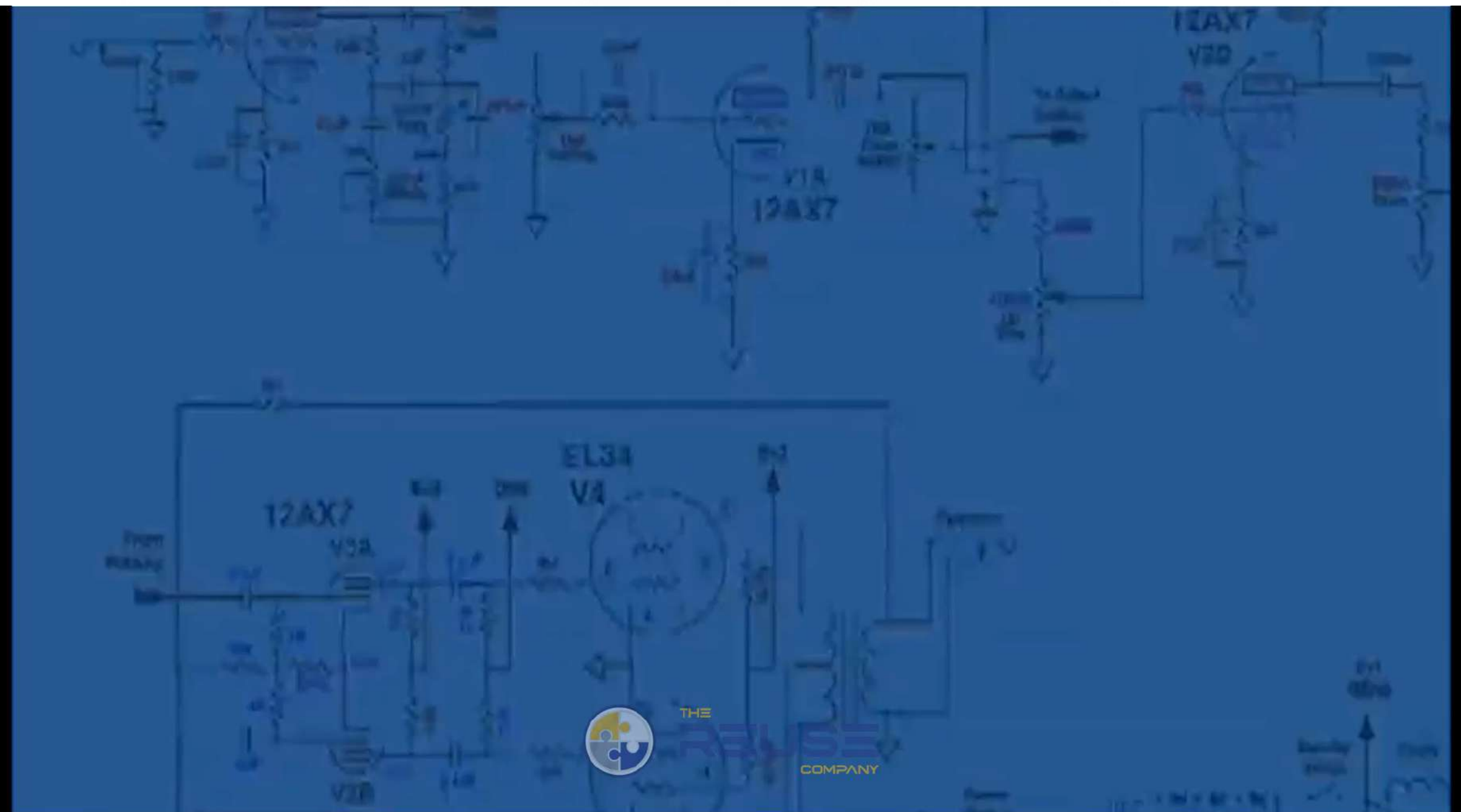
Solution description

Metamodel





Short demo





The End







CONFIGURATION MANAGEMENT WITH SES ENGINEERING STUDIO - FROM A TOOL-CENTRIC TO A LIFE CYCLE-WIDE APPROACH

- ✦ *How to deal with configuration management (CM) all across the system life cycle?*
- ✦ *How to deal with version and change management of your assets in complex tool ecosystems?*
- ✦ *How to convert configuration management into an effective, automatic and tool-neutral task?*

If the answer is yes, do not think twice and join our next webinar describing how SES ENGINEERING Studio would help you embrace a life-cycle-wide approach of Configuration Management processes!

✦ **Dates:** November 29 and December 1, 2022



The REUSE Company

265 prenumeranter

PRENUMERERAR



HEM

VIDEOR

SPELLISTOR

KANALER

OM



RQA - QUALITY Studio ▶ SPELA UPP ALLA

RQA - QUALITY Studio allows you to define, measure, manage and improve the quality of your requirements, models, documents etc.



Model Based Requirements Engineering

1:41

SES ENGINEERING Studio for Requirements

The REUSE Company
89 visningar • för 4 månader sedan



RQA for MBSE

1:00:20

Raise the ante: high-quality models is the only way...

The REUSE Company
45 visningar • för 5 månader sedan



ISSUE A QUALITY REPORT

12:53

How to generate a quality report of your requirements...

The REUSE Company
72 visningar • för 10 månader sedan



02 TAILORING & EXTENSION

47:57

Why Challenging the INCOSE Consistency metrics might...

The REUSE Company
66 visningar • för 11 månader sedan



Requirement's completeness

1:12:01

Completeness: tips and tricks for high-quality...

The REUSE Company
113 visningar • för 11 månader sedan



What is Requirements Correctness?

1:12:53

Improve the quality of your requirements using advanc...

The REUSE Company
116 visningar • för 1 år sedan

The REUSE Company in Youtube: <https://www.youtube.com/user/TheREUSECompany>



Marin L. Priala – Reuse Company



marin.priala@reusecompany.com



+34 912 17 25 96



@ReuseCompany



<https://www.linkedin.com/in/marin-lucian-priala-b79b35107/>





THE
REUSE
COMPANY

